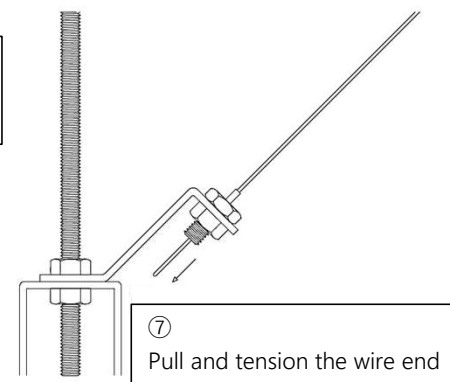
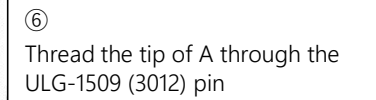
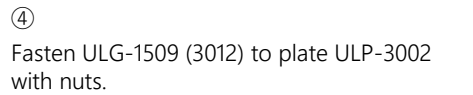
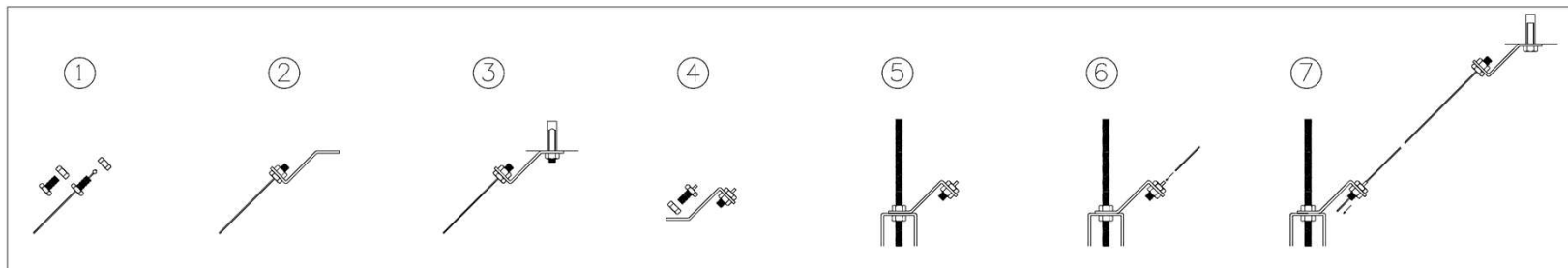
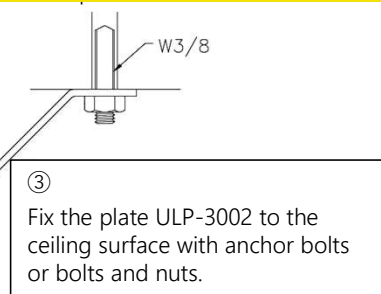
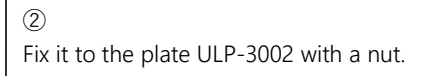
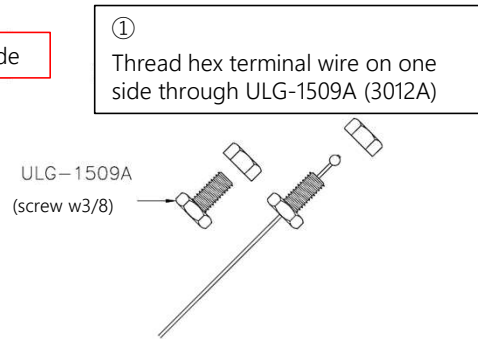


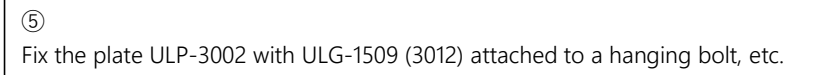
# ULTIMA Anti-sway Wire System 【Work Instruction】 Wire set A

\* The installation procedure is the same for wire diameters of 3.0 and 1.5 mm

Upper side



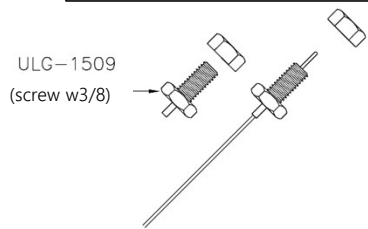
Lower side



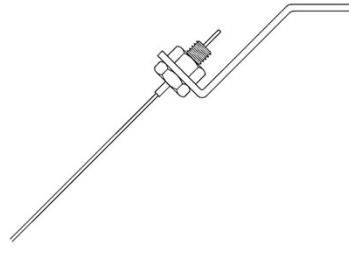
# ULTIMA Anti-sway Wire System 【Work Instruction】 Wire set B

Upper side

① Thread fused wire on both sides through ULG-1509 (3012) pin

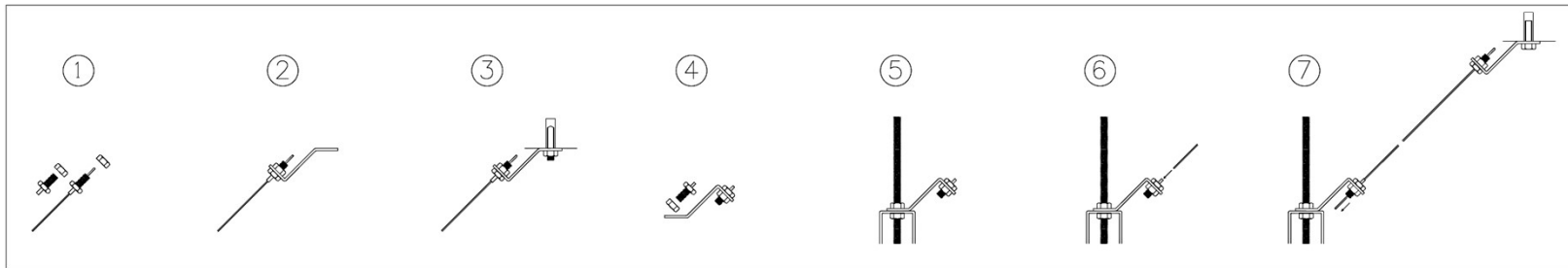
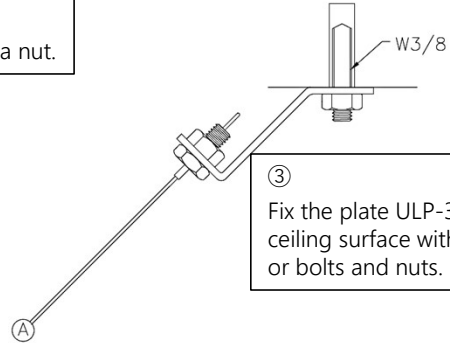


② Fix it to the plate ULP-3002 with a nut.

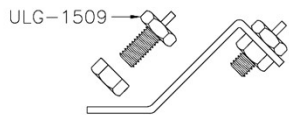


\* The installation procedure is the same for wire diameters of 3.0 and 1.5 mm

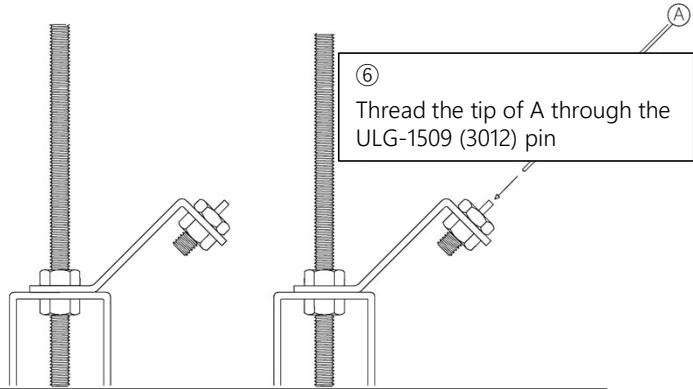
③ Fix the plate ULP-3002 to the ceiling surface with anchor bolts or bolts and nuts.



④ Fasten ULG-1509 (3012) to plate ULP-3002 with nuts.



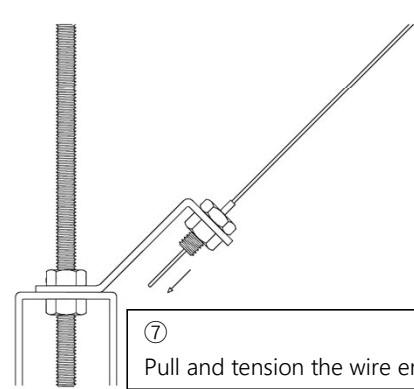
⑥ Thread the tip of A through the ULG-1509 (3012) pin



Lower side

⑤ Fix the plate ULP-3002 with ULG-1509 (3012) attached to a hanging bolt, etc.

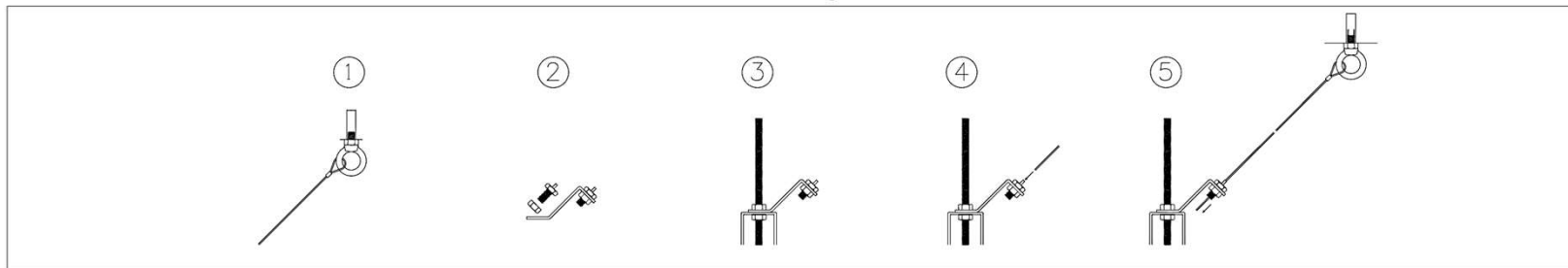
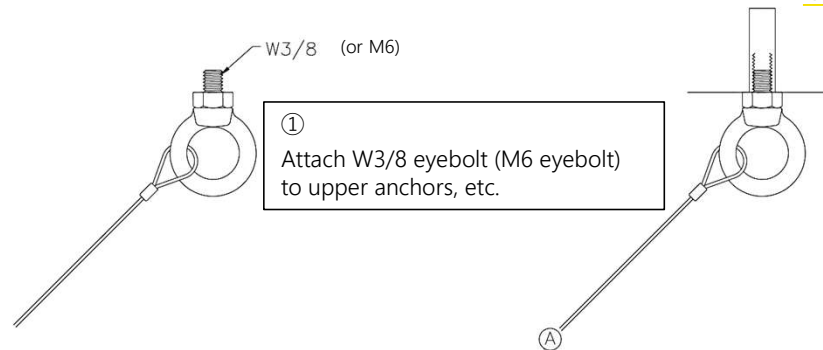
⑦ Pull and tension the wire end



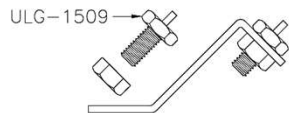
# ULTIMA Anti-sway Wire System 【Work Instruction】 Wire set C、D

\* The installation procedure is the same for wire diameters of 3.0 and 1.5 mm

Upper side



② Fasten ULG-1509 (3012) to plate ULP-3002 with nuts.

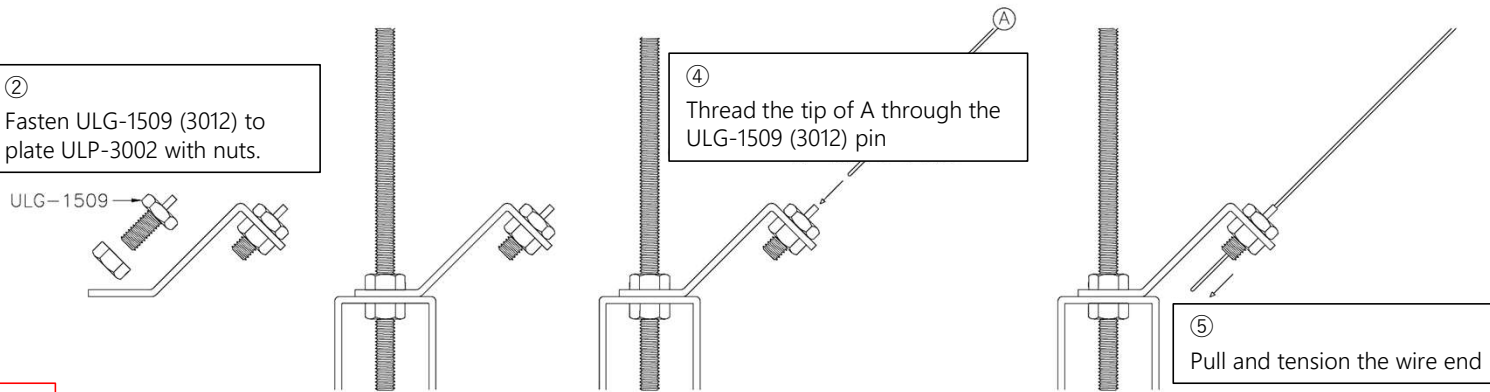


④ Thread the tip of A through the ULG-1509 (3012) pin

⑤ Pull and tension the wire end

Lower side

③ Fix the plate ULP-3002 with ULG-1509 (3012) attached to a hanging bolt, etc.



## ULTIMA Anti-sway Wire System 【Attention】 Wire set A、 B、 C、 D

---

- Please use wire cutters for wire cutting to avoid fraying of strands.
- The grips have a strong locking force, so it may take more force to unlock the grips after a load is applied.
- The torque value of grips is lower than that of normal bolts because of the mechanism inside. Do not over-tighten the grips (the threads may be damaged).
- If the cut end of the wire is untwisted, it will be difficult to insert the wire into the grip. Cut the wire cleanly and twist it to insert it smoothly.
- Cut the excess wire that comes out of the grip, leaving 40 to 50 mm of excess wire. Please note that if the excess wire is forced and bent, it may affect the locking function.
- Do not use wires other than those specified by us. Also, for safety reasons, do not use damaged or bent wires.
- Do not allow the wire to come in direct contact with the edges as it may be cut or fall.
- The mounting position of the anti-sway bar should be firmly fixed near the supporting member.
- Do not use the product outdoors or in locations subject to high temperature, high humidity, shock or vibration.
- Do not apply paint or oil to the grips and wires.
- Ultima grips are designed with a limited wire diameter for safety reasons, even though the external shape is the same.
- For improvement, the shape and specifications are subject to change without notice.
- Do not use any wire other than the special wire provided by the Company.
- Standard wire grip dimensions are L=1,000 and 2,000 mm. Please consult us for other dimensions.